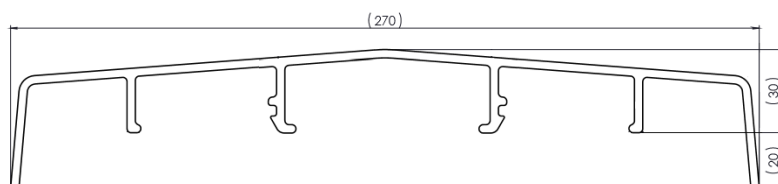
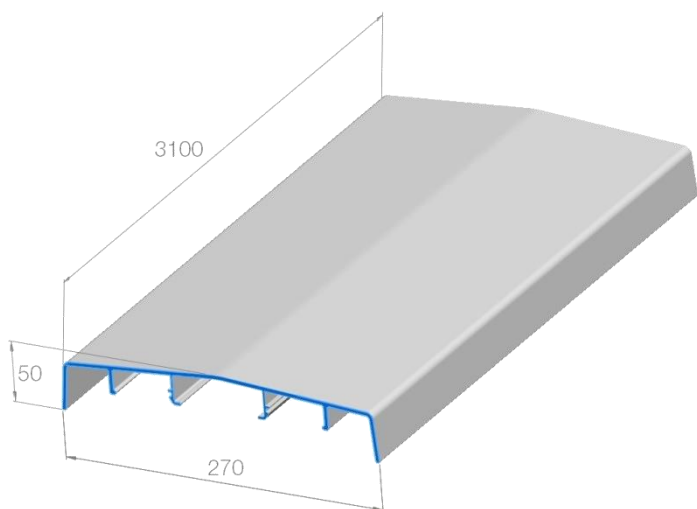




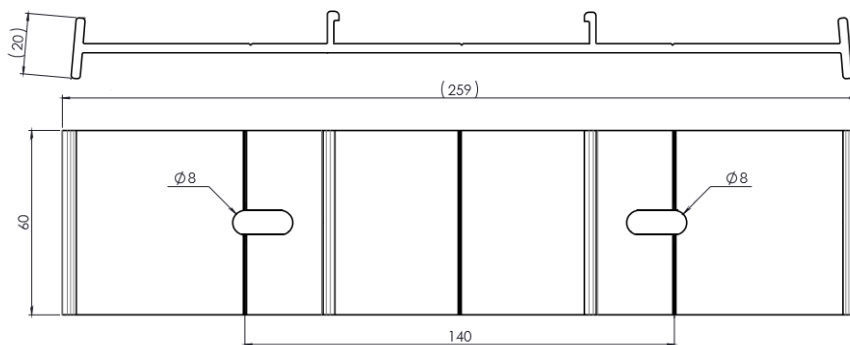
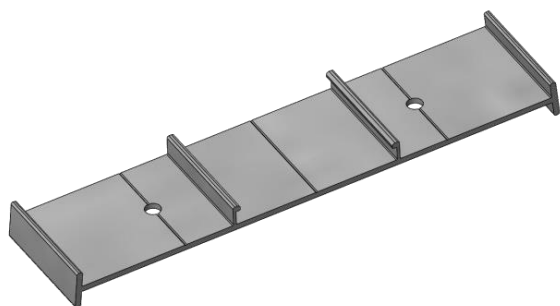
ÔDMc 3100



aluminium alloy A6060 T5	
bar length	3100 mm
width	270 mm
fallout height	50 mm
bar weight	10.478 kg
standard colour	ral 9010, ral 7016, ral 9005 ral 1015, ral 3004, ral 8023
finishes	Bright or matt

👍 Other colours and finishes : on request

Fixing - ÔDM fx



👍 4 fixings / bars of 3100 mm



Fixing system by patented clipping

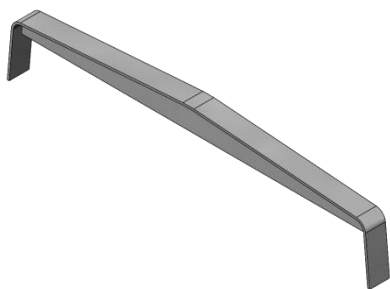


Qualicoat Label
« seaside »



Manufactured by
« extrusion process »

All measurements are indicated in mm.

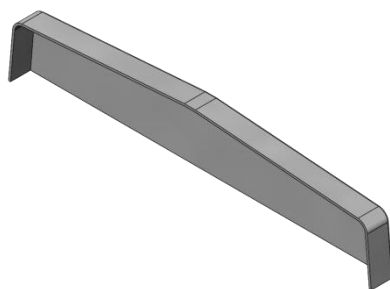


splice bars ^ ÔDMc-ecl

The splice bars are link-up parts that contribute to the watertightness of the wall. All colours are possible.



Hidden expansion of ÔDEMUR products
No drips

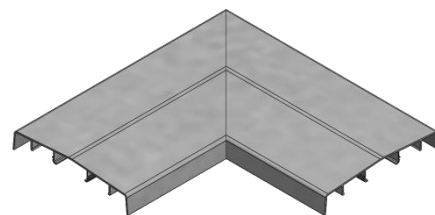


end pieces ^ ÔDMc-emb

The end pieces are especially manufactured to be connected to the coping « chapeau » profile. They are the same colours than the coping itself.



Perfect finish of the coping ÔDEMUR



corners ^ ÔDMc-ang

The corners are entirely waterproof. They are custom made and thermo lacquered in fitting RAL colour.



Weld on the 3 faces
Monobloc

Easy laying -



A precise plan must be created according to the indications on the construction site by the installer. The profiles ôdemur are delivered with a length of 3100mm, they can be cut on site. The coping must be installed on a clean wall.

